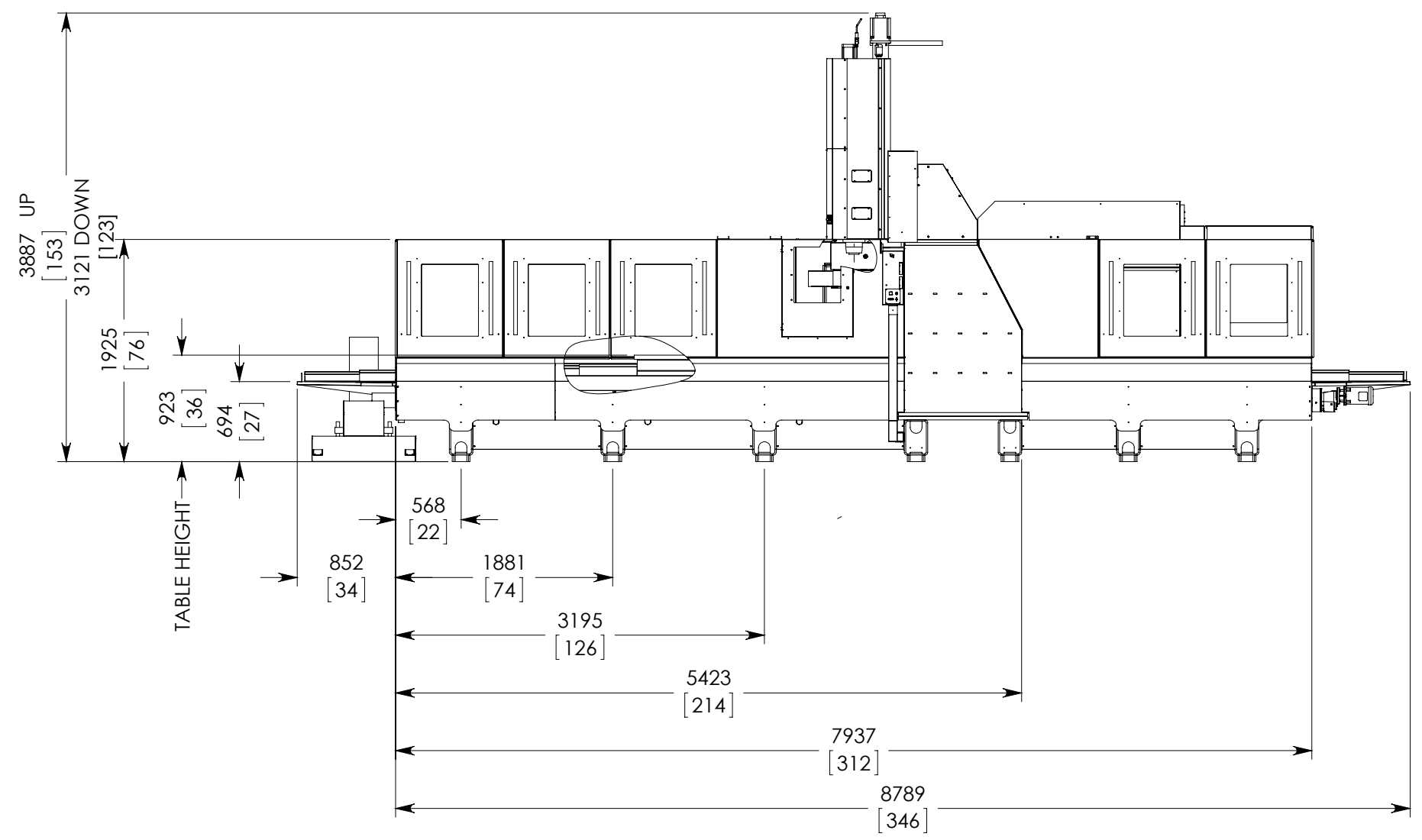
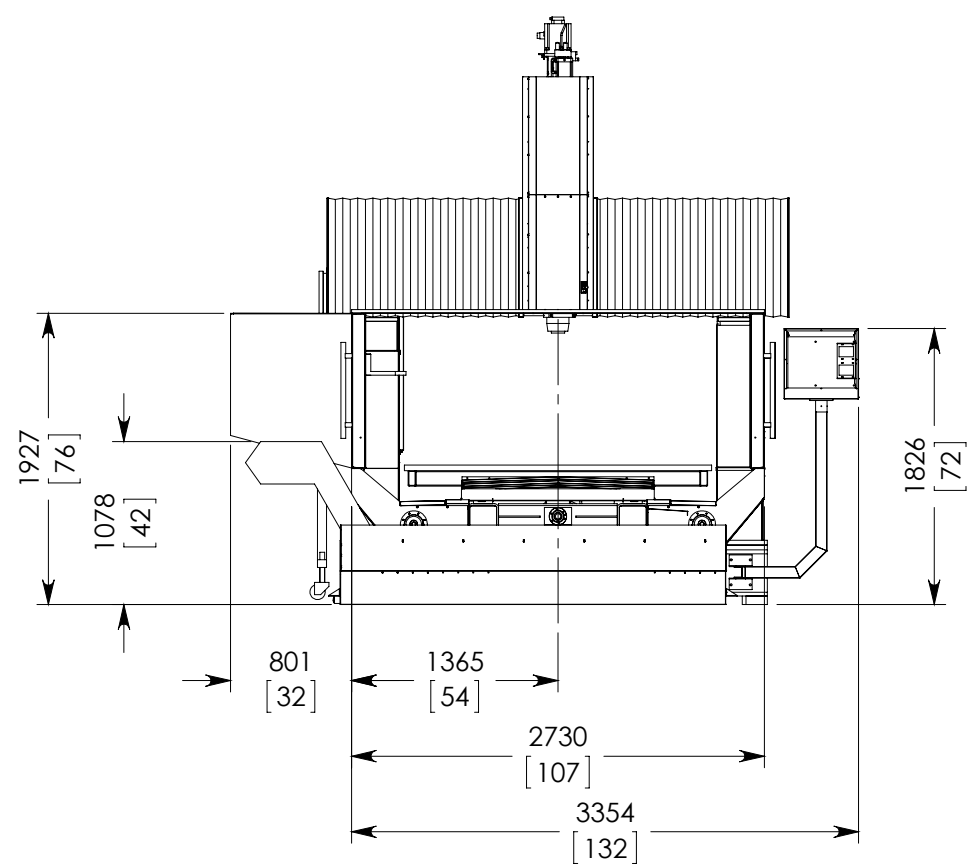


8 7 6 5 4 3 2 1

**PROPRIETARY AND CONFIDENTIAL**  
 THE INFORMATION CONTAINED IN THIS DRAWING IS THE SOLE PROPERTY OF  
 MILLTRONICS MANUFACTURING. ANY REPRODUCTION IN PART OR AS A WHOLE  
 WITHOUT THE WRITTEN PERMISSION OF MILLTRONICS MANUFACTURING IS PROHIBITED.

D  
C  
B  
A

D  
C  
B  
A

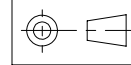



SEE PAGE TWO FOR BASE MOUNTING HOLES

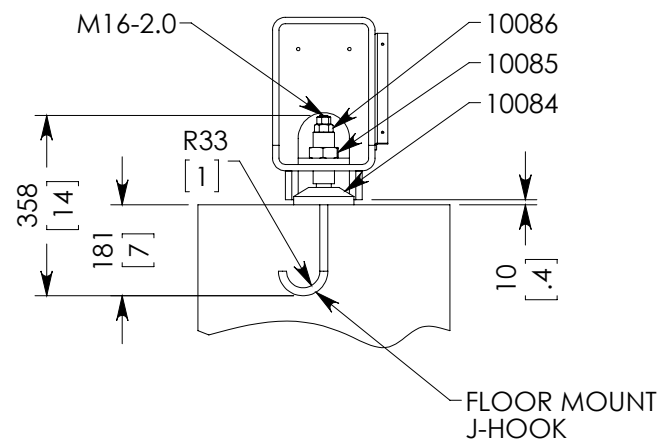
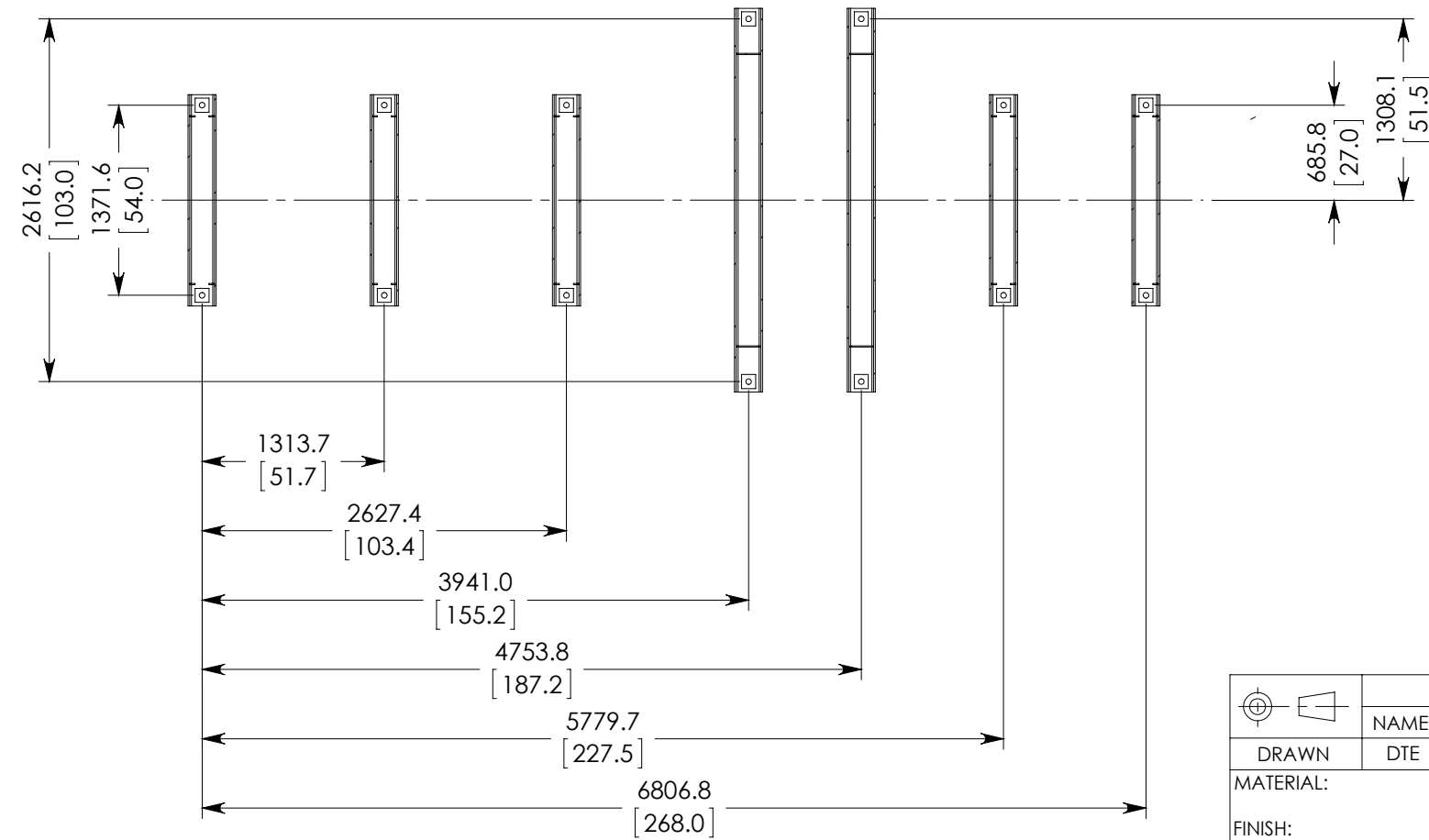
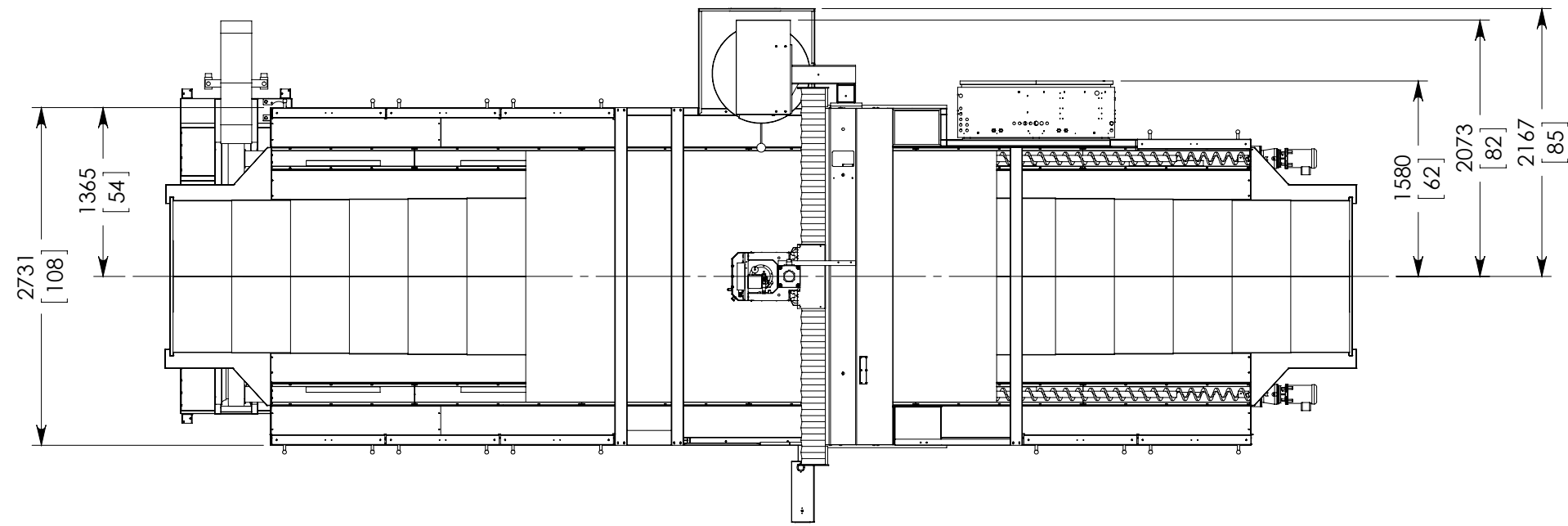
A

A

8 7 6 5 4 3 2 1

	NAME	DATE	
	DRAWN	DTE	
MATERIAL:			DRAWING TITLE: BR80-150 FOOTPRINT
FINISH:			
UNLESS OTHERWISE SPECIFIED:			SCALE: 1:50    DRAWING NUMBER: 10031084
DIMENSIONS ARE IN MM [INCHES] TOLERANCES: ANGULAR: MACH ± 1.0 BEND ± NO DECIMAL PLACE ±1 [.039] ONE PLACE DECIMAL ±.5 [.020] TWO PLACE DECIMAL ±.2 [.008] THREE PLACE DECIMAL ±.1 [.004]			
ESTIMATED WEIGHT:		11028.9 Kg.	STOCK/ASSY. NUMBER: 100310084 SHEET NUMBER: 1 OF 2
			SIZE <b>B</b>

**PROPRIETARY AND CONFIDENTIAL**  
 THE INFORMATION CONTAINED IN THIS DRAWING IS THE SOLE PROPERTY OF  
 MILLTRONICS MANUFACTURING. ANY REPRODUCTION IN PART OR AS A WHOLE  
 WITHOUT THE WRITTEN PERMISSION OF MILLTRONICS MANUFACTURING IS PROHIBITED.



BASE MOUNTING HOLES

	NAME	DATE	 <b>MILLTRONICS</b> CNC MACHINES 1400 MILL LANE 952.442.1410 WACONIA, MN 55387 USA
	DRAWN	DTE	
MATERIAL:			DRAWING TITLE:
FINISH:			BR80-150 FOOTPRINT
UNLESS OTHERWISE SPECIFIED:			SCALE: 1:50
DIMENSIONS ARE IN MM [INCHES] TOLERANCES: ANGULAR: MACH ± 1.0 BEND ± NO DECIMAL PLACE ± 1 [.039] ONE PLACE DECIMAL ± .5 [.020] TWO PLACE DECIMAL ± .2 [.008] THREE PLACE DECIMAL ± .1 [.004]			DRAWING NUMBER: 10031084
ESTIMATED WEIGHT: 11028.9 Kg.			STOCK/ASSY. NUMBER: 100310084
			SHEET NUMBER: 2 OF 2
			SIZE <b>B</b>