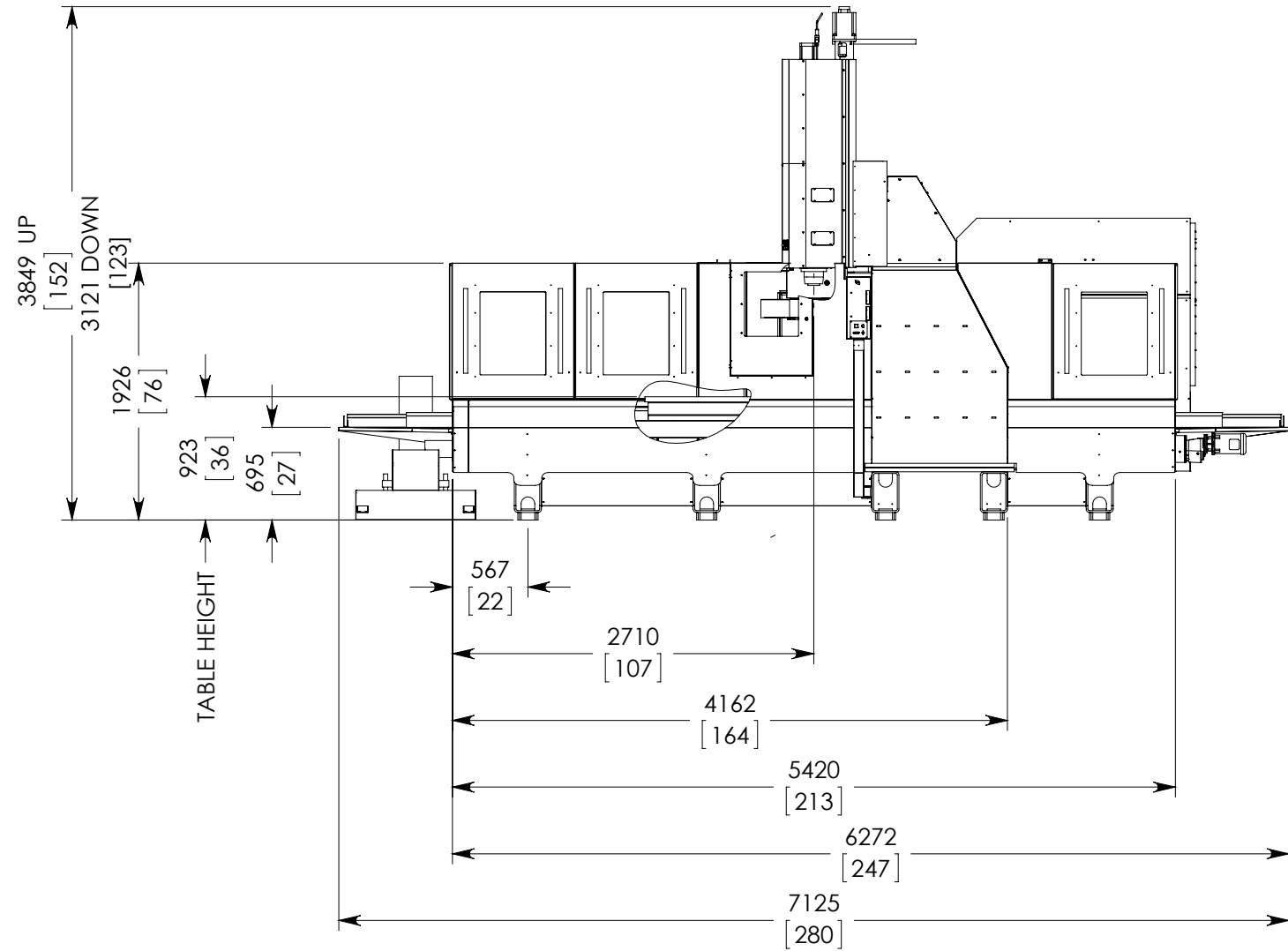
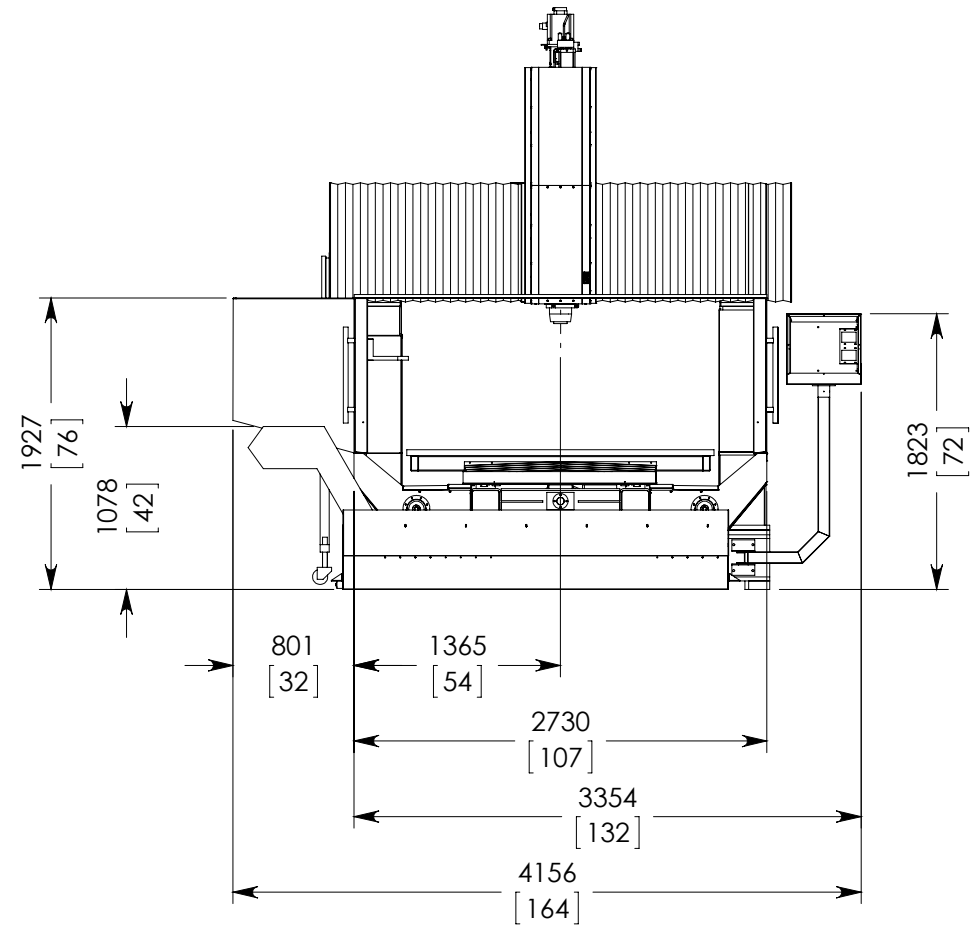
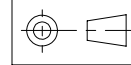



PROPRIETARY AND CONFIDENTIAL
 THE INFORMATION CONTAINED IN THIS DRAWING IS THE SOLE PROPERTY OF
 MILLTRONICS MANUFACTURING. ANY REPRODUCTION IN PART OR AS A WHOLE
 WITHOUT THE WRITTEN PERMISSION OF MILLTRONICS MANUFACTURING IS PROHIBITED.

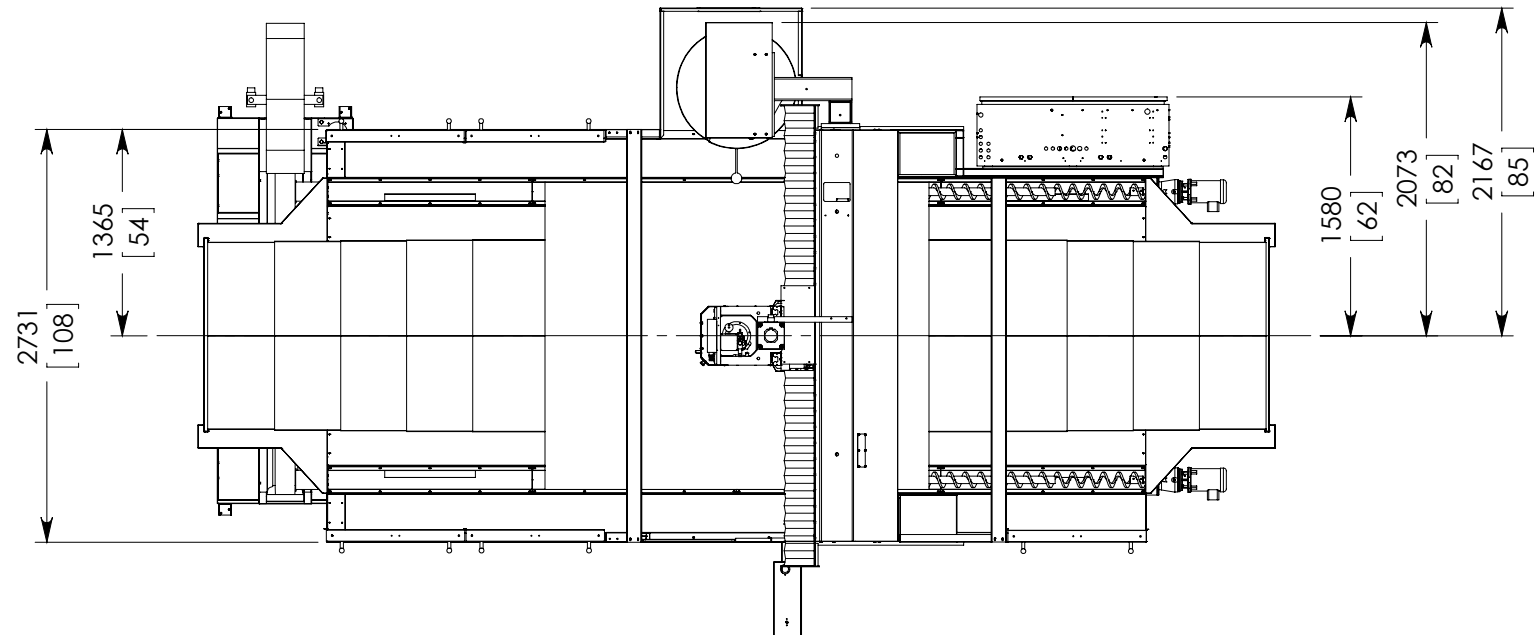


SEE PAGE TWO FOR BASE MOUNTING HOLES

	NAME	DATE	
	DRAWN	CF	
MATERIAL:			DRAWING TITLE: BR80-100 FOOTPRINT
FINISH:			
UNLESS OTHERWISE SPECIFIED:			SCALE: 1:50
DIMENSIONS ARE IN MM [INCHES] TOLERANCES: ANGULAR: MACH ± 1.0 BEND ± NO DECIMAL PLACE ±1 [.039] ONE PLACE DECIMAL ±.5 [.020] TWO PLACE DECIMAL ±.2 [.008] THREE PLACE DECIMAL ±.1 [.004]			DRAWING NUMBER: 10031083
			ESTIMATED WEIGHT: 8768.8 Kg.
			STOCK/ASSY. NUMBER: 10031083
			SHEET NUMBER: 1 OF 2
			SIZE B

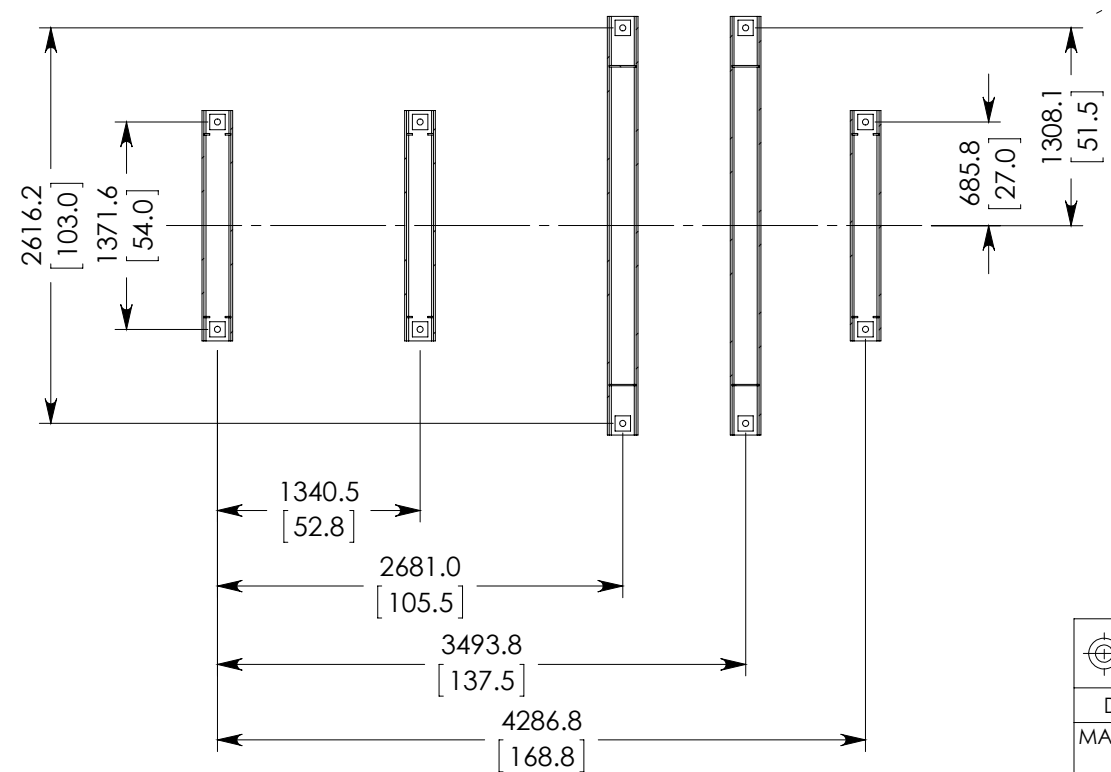
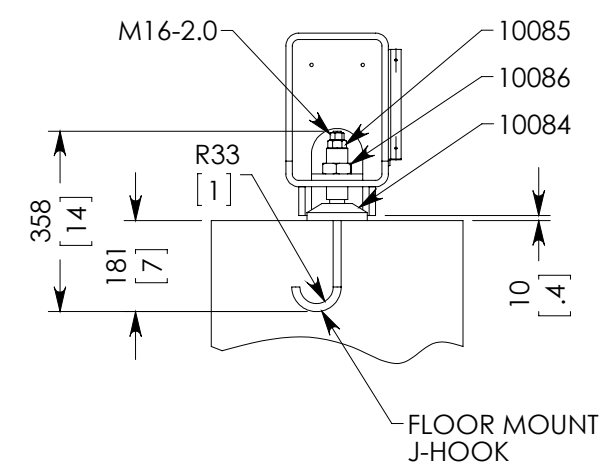
8 7 6 5 4 3 2 1

PROPRIETARY AND CONFIDENTIAL
 THE INFORMATION CONTAINED IN THIS DRAWING IS THE SOLE PROPERTY OF
 MILLTRONICS MANUFACTURING. ANY REPRODUCTION IN PART OR AS A WHOLE
 WITHOUT THE WRITTEN PERMISSION OF MILLTRONICS MANUFACTURING IS PROHIBITED.



D
C
B
A

D
C
B
A



BASE MOUNTING HOLES

	NAME	DATE	 1400 MILL LANE 952.442.1410 WACONIA, MN 55387 USA
	DRAWN	CF	
MATERIAL:			DRAWING TITLE:
FINISH:			BR60-150 FOOTPRINT
UNLESS OTHERWISE SPECIFIED:			
DIMENSIONS ARE IN MM [INCHES] TOLERANCES: ANGULAR: MACH ± 1.0 BEND ± NO DECIMAL PLACE ±1 [.039] ONE PLACE DECIMAL ±.5 [.020] TWO PLACE DECIMAL ±.2 [.008] THREE PLACE DECIMAL ±.1 [.004]			
SCALE: 1:50		DRAWING NUMBER: 10031083	
ESTIMATED WEIGHT: 8768.8 Kg.		STOCK/ASSY. NUMBER: 10031083	SIZE B
		SHEET NUMBER: 2 OF 2	

8 7 6 5 4 3 2 1