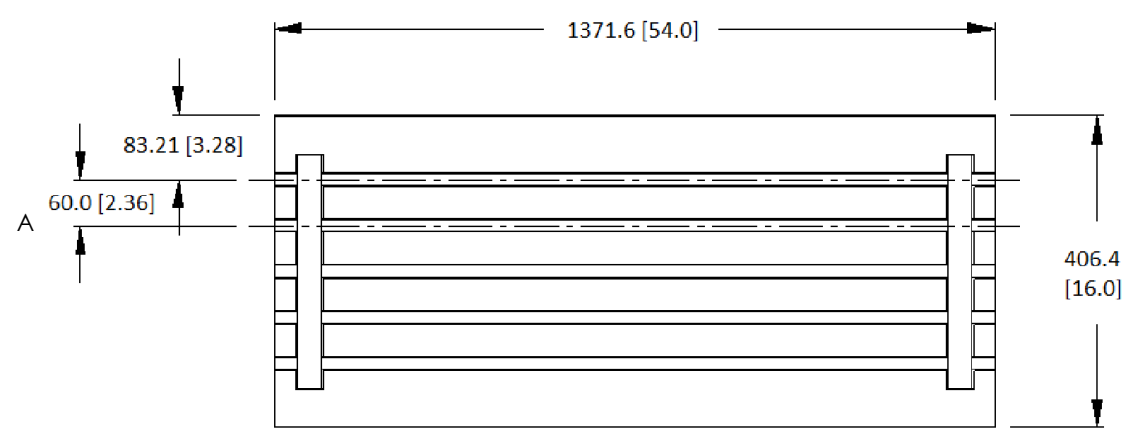
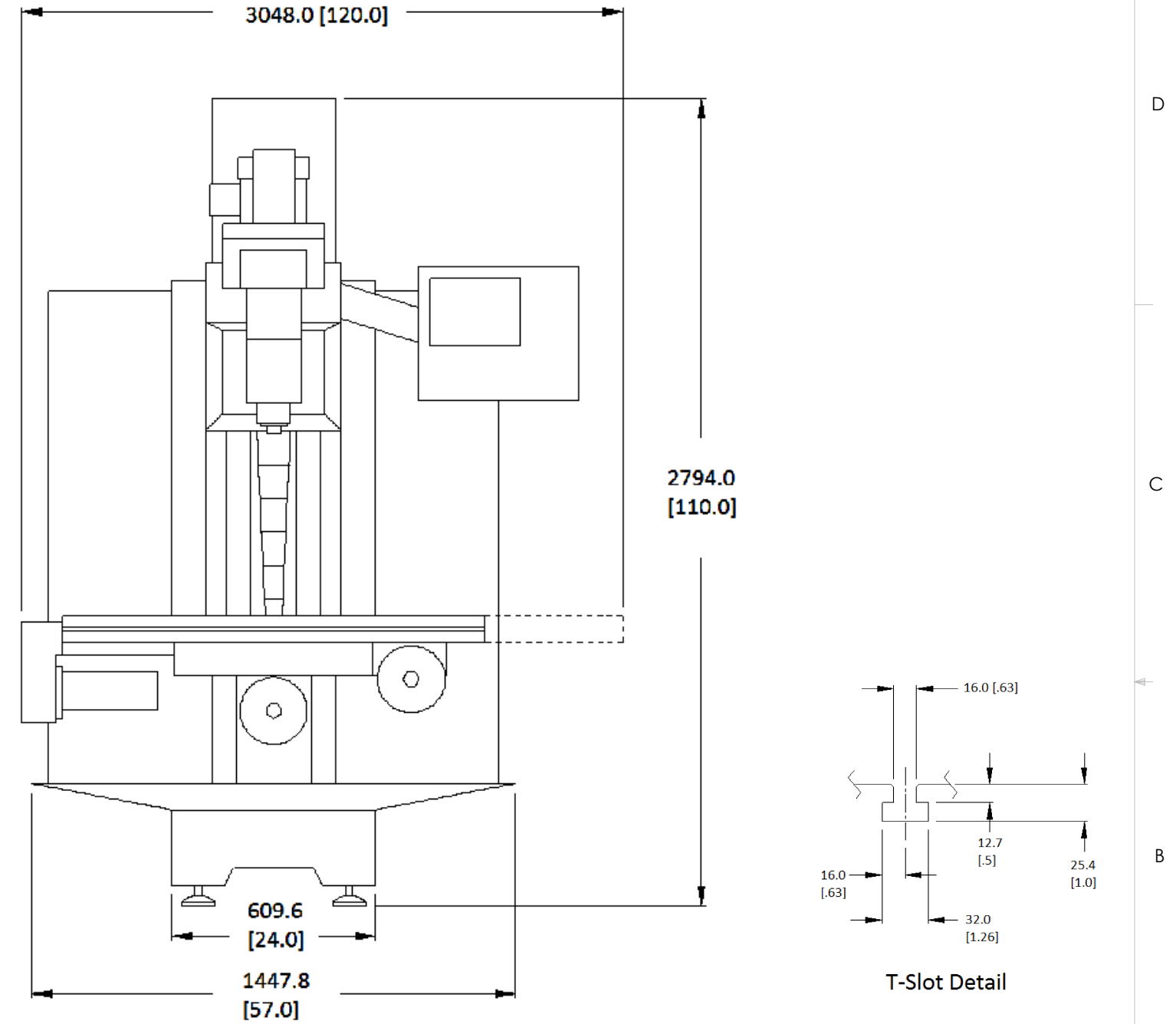
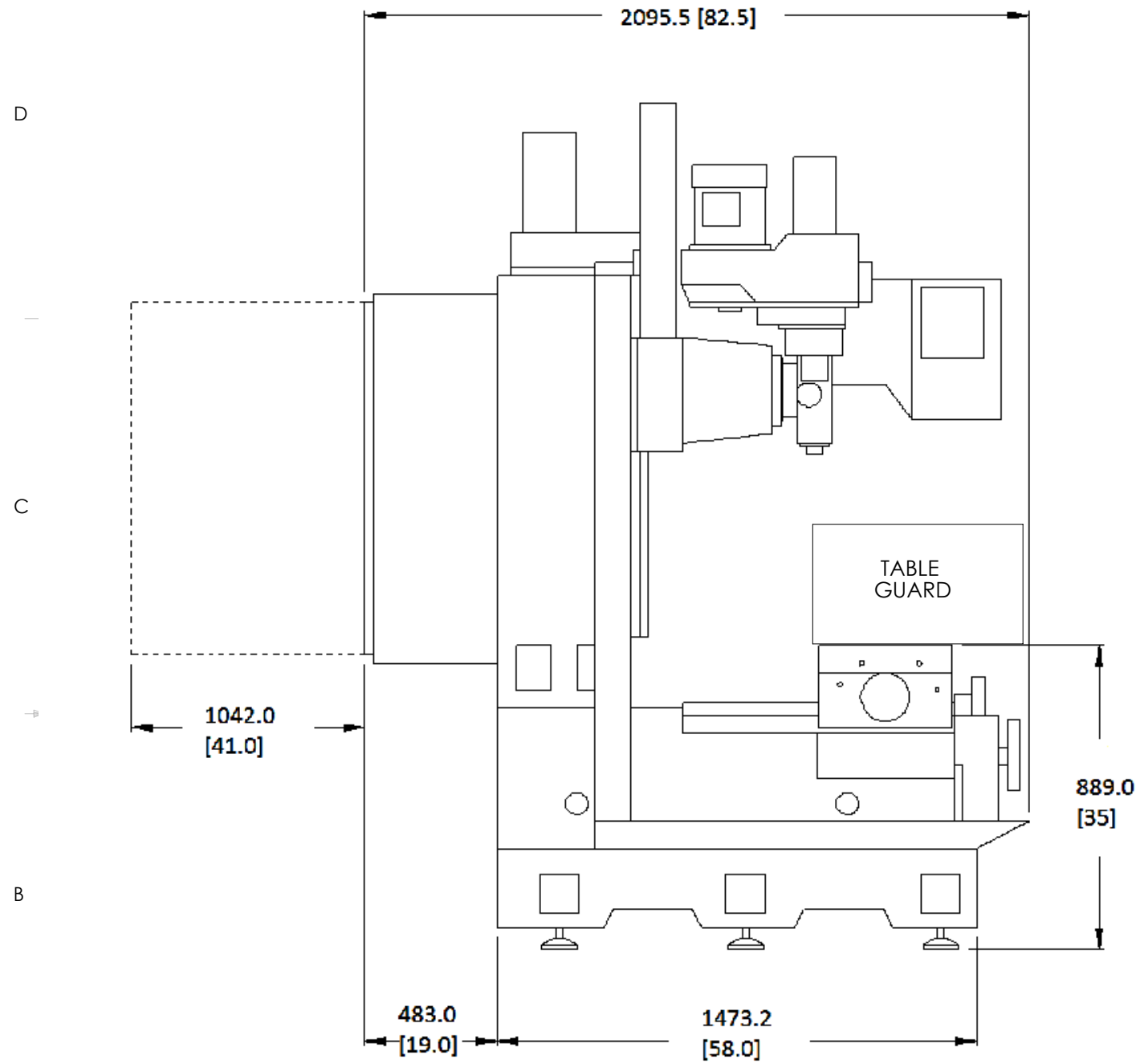


8 7 6 5 4 3 2 1

PROPRIETARY AND CONFIDENTIAL
 THE INFORMATION CONTAINED IN THIS DRAWING IS THE SOLE PROPERTY OF
 MILLTRONICS MANUFACTURING. ANY REPRODUCTION IN PART OR AS A WHOLE
 WITHOUT THE WRITTEN PERMISSION OF MILLTRONICS MANUFACTURING IS PROHIBITED.



	NAME	DATE	 1400 MILL LANE 952.442.1410 WACONIA, MN 55387 USA
	DRAWN		
MATERIAL:			DRAWING TITLE:
FINISH:			SCALE: 1:1
UNLESS OTHERWISE SPECIFIED: DIMENSIONS ARE IN MM [INCHES] TOLERANCES: ANGULAR: MACH ± 1.0 BEND ± NO DECIMAL PLACE ±1 [.039] ONE PLACE DECIMAL ±.5 [.020] TWO PLACE DECIMAL ±.2 [.008] THREE PLACE DECIMAL ±.1 [.004]			DRAWING NUMBER: ESTIMATED WEIGHT: Kg.
			STOCK/ASSY. NUMBER: SHEET NUMBER: 1 OF 1
			SIZE B

8 7 6 5 4 3 2 1