

8 7 6 5 4 3 2 1

PROPRIETARY AND CONFIDENTIAL
 THE INFORMATION CONTAINED IN THIS DRAWING IS THE SOLE PROPERTY OF
 MILLTRONICS MANUFACTURING. ANY REPRODUCTION IN PART OR AS A WHOLE
 WITHOUT THE WRITTEN PERMISSION OF MILLTRONICS MANUFACTURING IS PROHIBITED.

D

D

C

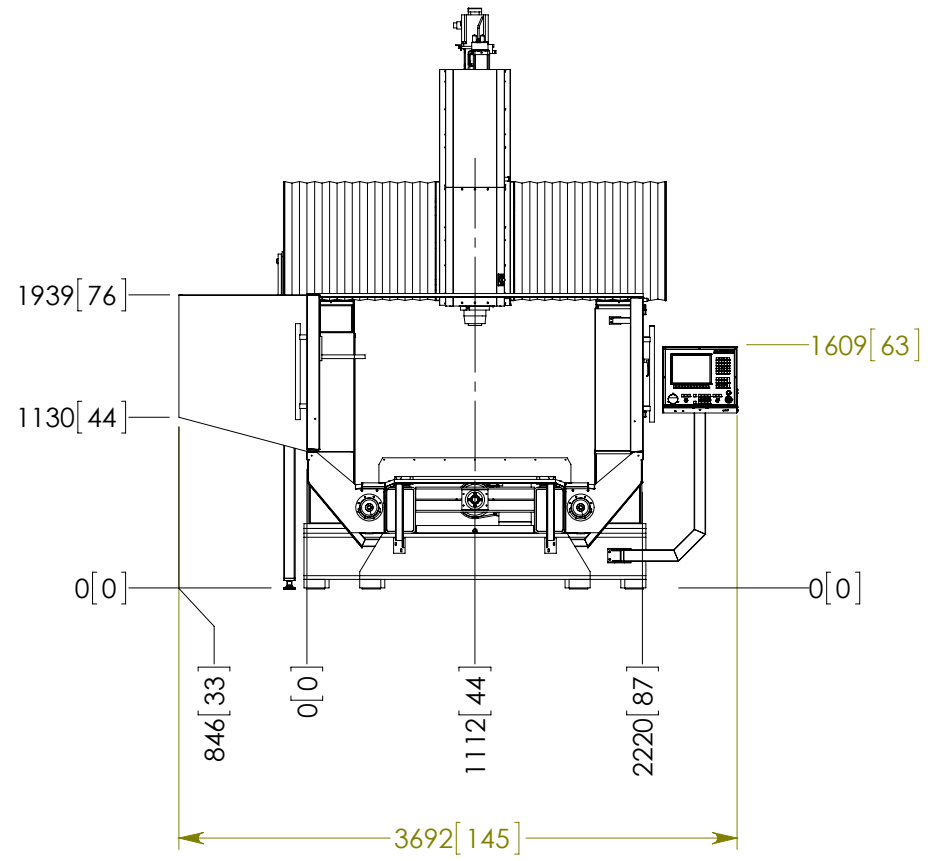
C

B

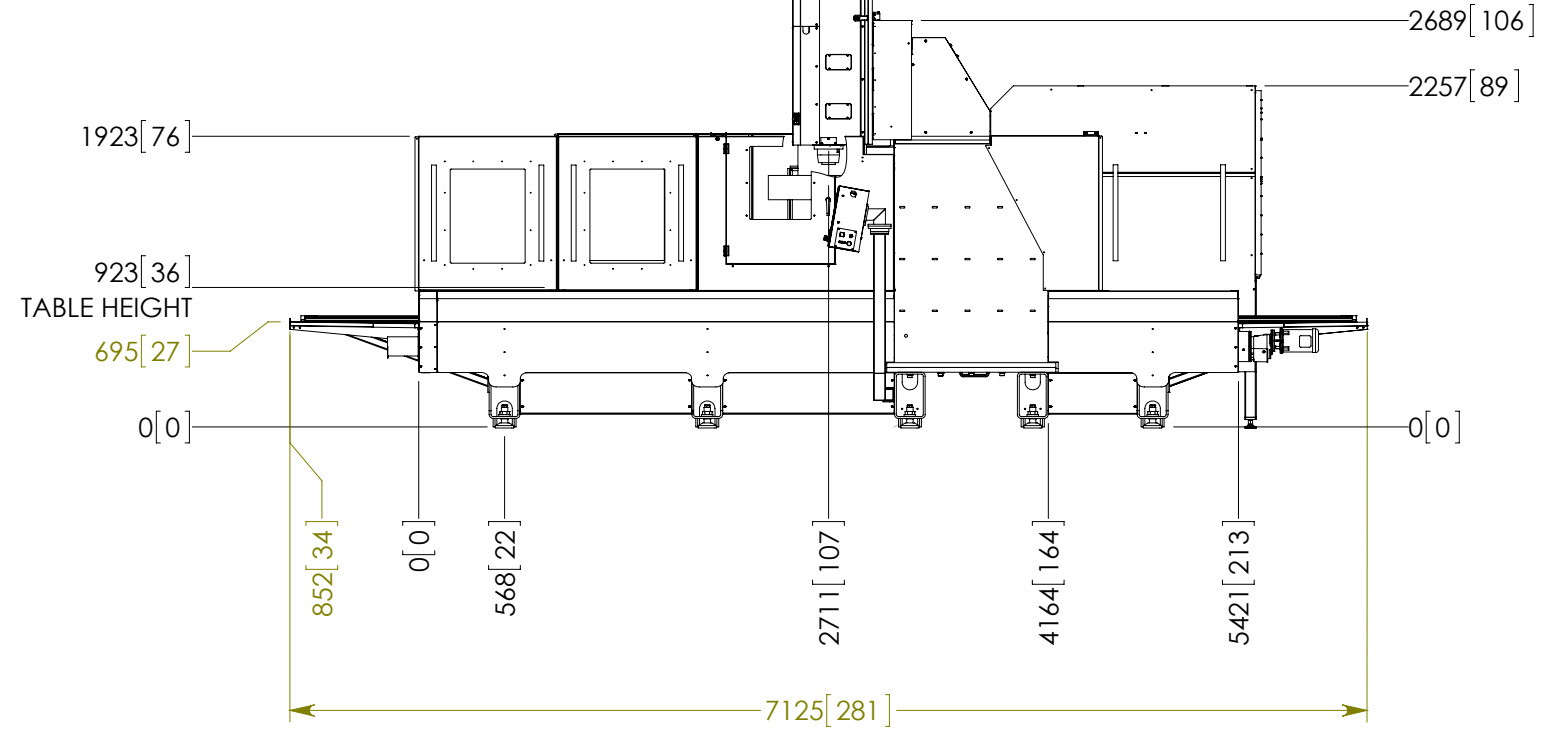
B

A

A



3835 [151] Up
 3124 [123] Down



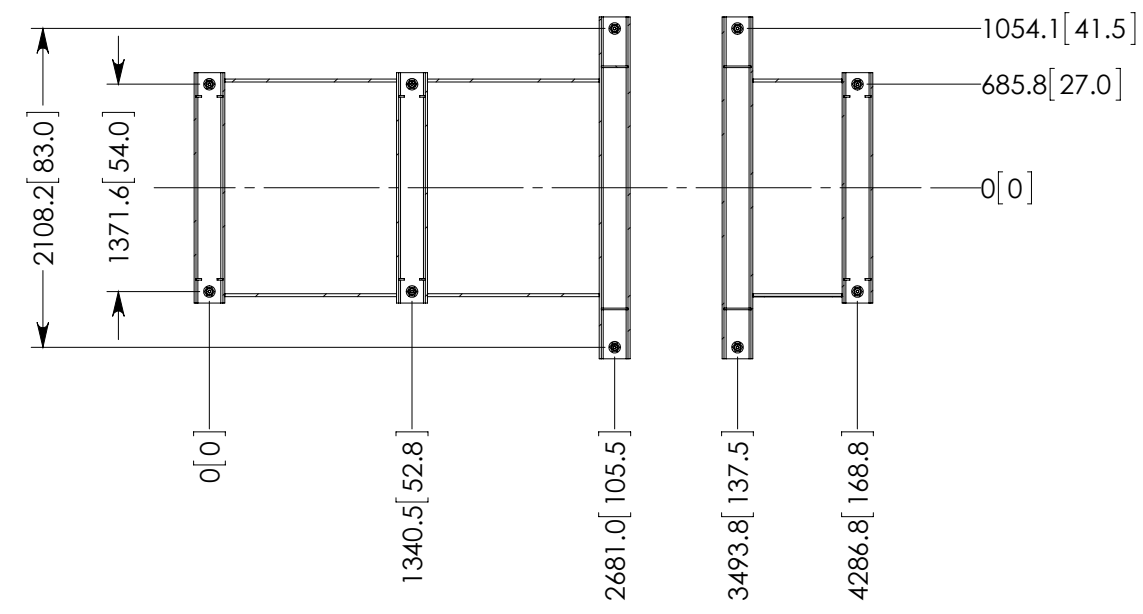
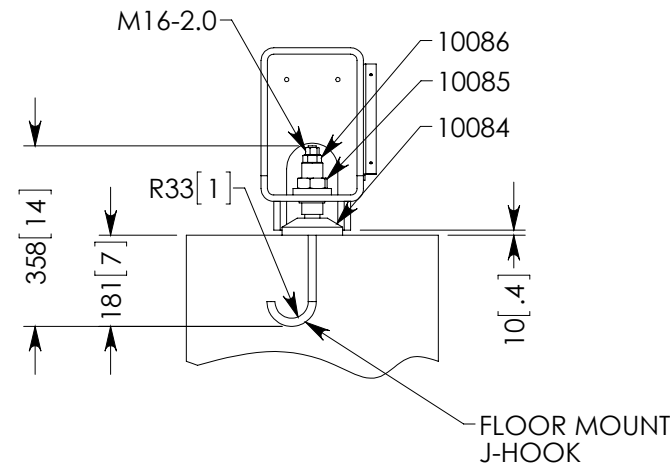
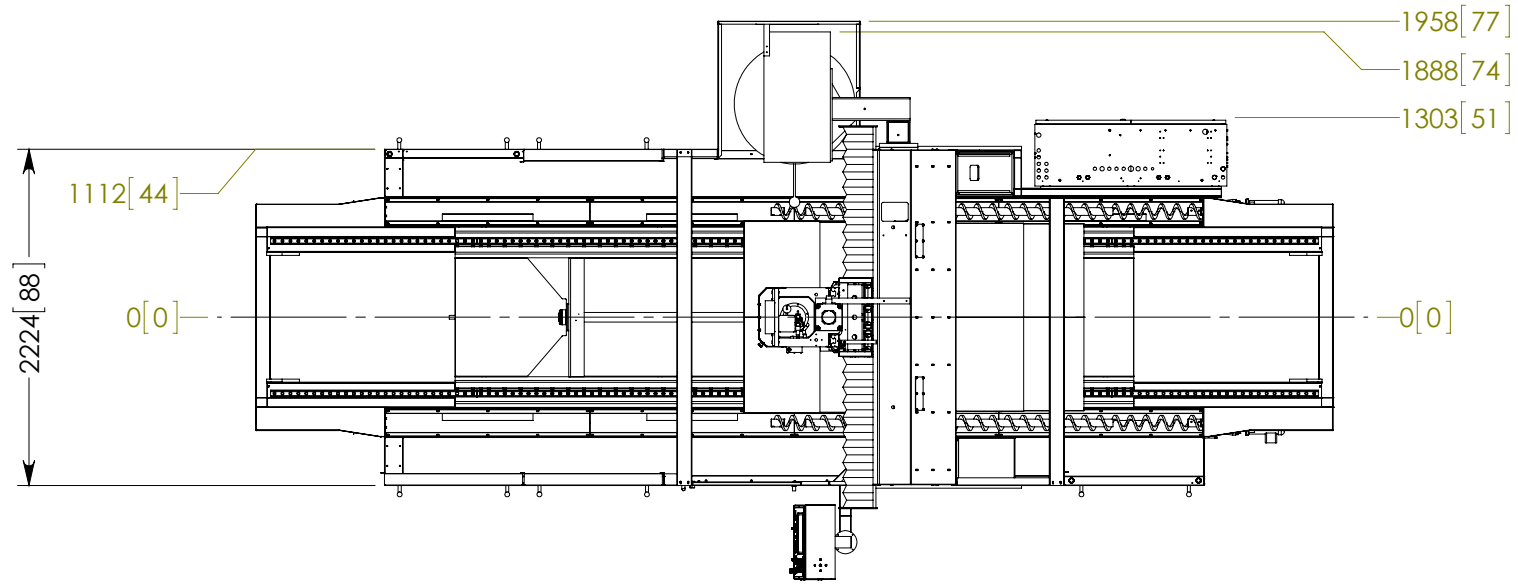
SEE PAGE TWO FOR BASE MOUNTING HOLES

| | | | | |
|--|---------------------------------------|--|-------------------------------------|---------------------------------|
| A | ADD COMPONENTS AND REPAIR ASSY | 8052 | DH | 01/14 |
| REV. | DESCRIPTION | E.C.O. No. | APP'D BY | DATE |
| | NAME | DATE | | |
| DRAWN | CF | 13 JUN 13 | | |
| MATERIAL: | | 1400 MILL LANE 952.442.1410 WACONIA, MN 55387 USA | | |
| FINISH: | | | | |
| UNLESS OTHERWISE SPECIFIED: | | DRAWING TITLE: | | |
| DIMENSIONS ARE IN MM [INCHES] TOLERANCES: ANGULAR: MACH ± 1.0 BEND ± NO DECIMAL PLACE ±1 [.039] ONE PLACE DECIMAL ±.5 [.020] TWO PLACE DECIMAL ±.2 [.008] THREE PLACE DECIMAL ±.1 [.004] | | SCALE: 1:50 | | DRAWING NUMBER: 10031081 |
| | | ESTIMATED WEIGHT: 6324.2 Kg. | STOCK/ASSY. NUMBER: 10031081 | SIZE |
| | | | SHEET NUMBER: 1 OF 2 | B |

8 7 6 5 4 3 2 1

8 7 6 5 4 3 2 1

PROPRIETARY AND CONFIDENTIAL
 THE INFORMATION CONTAINED IN THIS DRAWING IS THE SOLE PROPERTY OF
 MILLTRONICS MANUFACTURING. ANY REPRODUCTION IN PART OR AS A WHOLE
 WITHOUT THE WRITTEN PERMISSION OF MILLTRONICS MANUFACTURING IS PROHIBITED.



BASE MOUNTING HOLES

| | | | | |
|--|---------------------------------------|--|------------------------------|--------------|
| A | ADD COMPONENTS AND REPAIR ASSY | 8052 | DH | 01/14 |
| REV. | DESCRIPTION | E.C.O. No. | APP'D BY | DATE |
| | NAME | DATE | | |
| DRAWN | CF | 13 JUN 13 | | |
| MATERIAL: | | 1400 MILL LANE 952.442.1410 WACONIA, MN 55387 USA | | |
| FINISH: | | | | |
| UNLESS OTHERWISE SPECIFIED: | | DRAWING TITLE: BR60-100 FOOTPRINT | | |
| DIMENSIONS ARE IN MM [INCHES] TOLERANCES: ANGULAR: MACH ± 1.0 BEND ± NO DECIMAL PLACE ±1 [.039] ONE PLACE DECIMAL ±.5 [.020] TWO PLACE DECIMAL ±.2 [.008] THREE PLACE DECIMAL ±.1 [.004] | | SCALE: 1:50 | DRAWING NUMBER: 10031081 | |
| | | ESTIMATED WEIGHT: 6324.2 Kg. | STOCK/ASSY. NUMBER: 10031081 | SIZE |
| | | | SHEET NUMBER: 2 OF 2 | B |

8 7 6 5 4 3 2 1