

8 7 6 5 4 3 2 1

**PROPRIETARY AND CONFIDENTIAL**  
 THE INFORMATION CONTAINED IN THIS DRAWING IS THE SOLE PROPERTY OF  
 MILLTRONICS MANUFACTURING. ANY REPRODUCTION IN PART OR AS A WHOLE  
 WITHOUT THE WRITTEN PERMISSION OF MILLTRONICS MANUFACTURING IS PROHIBITED.

D

D

C

C

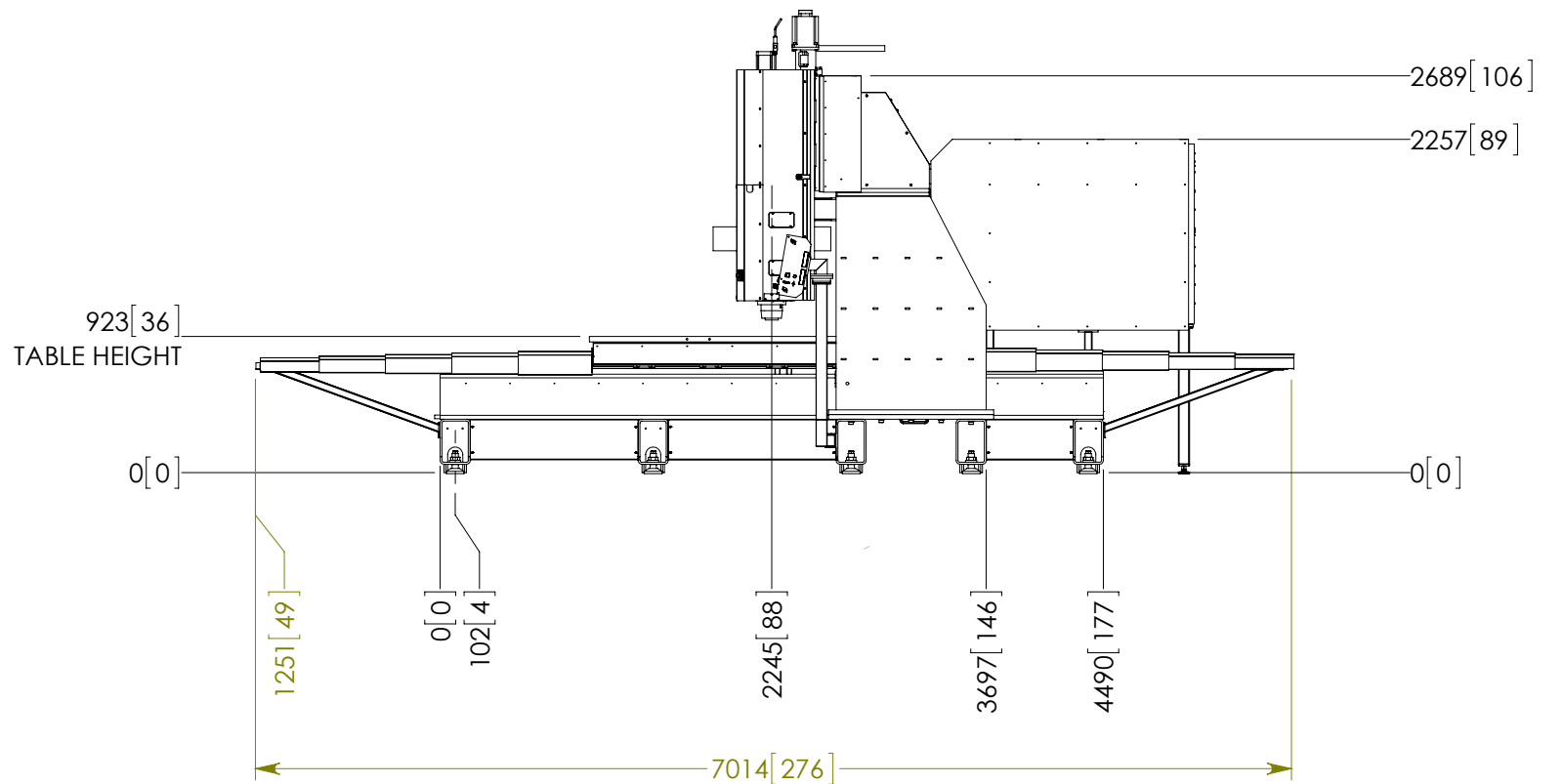
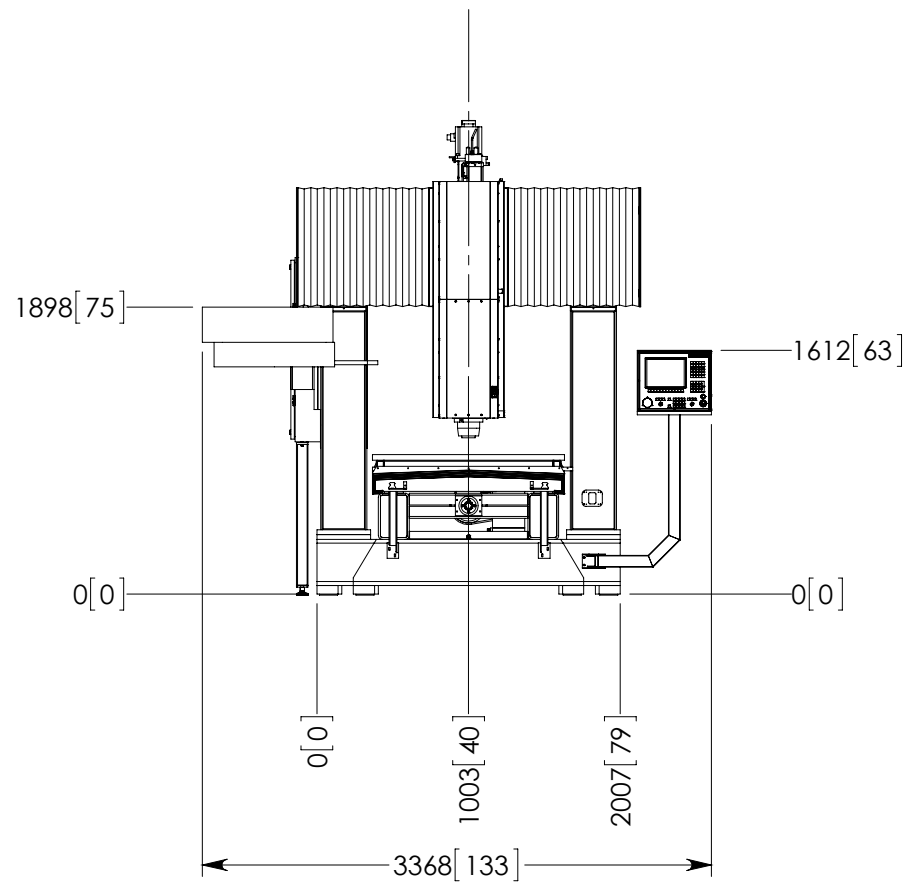
B

B

A

A

3826 [151] UP  
 3115 [123] DOWN



SEE PAGE TWO FOR BASE MOUNTING HOLES

<b>A</b>	<b>ADD COMPONENTS AND REPAIR ASSEMBLY</b>	<b>8056</b>	<b>DH</b>	<b>03/14</b>
<b>REV.</b>	<b>DESCRIPTION</b>	<b>E.C.O. No.</b>	<b>APP'D BY</b>	<b>DATE</b>
	<b>NAME</b>	<b>DATE</b>	 1400 MILL LANE 952.442.1410 WACONIA, MN 55387 USA DRAWING TITLE: BR5100 FOOTPRINT	
<b>DRAWN</b>	CF	17 JUN 13		
<b>MATERIAL:</b>				
<b>FINISH:</b>				
UNLESS OTHERWISE SPECIFIED:				
DIMENSIONS ARE IN MM [INCHES] TOLERANCES: ANGULAR: MACH ± 1.0 BEND ± NO DECIMAL PLACE ±1 [.039] ONE PLACE DECIMAL ±.5 [.020] TWO PLACE DECIMAL ±.2 [.008] THREE PLACE DECIMAL ±.1 [.004]				
<b>SCALE:</b> 1:50		<b>DRAWING NUMBER:</b> 10031086		
<b>ESTIMATED WEIGHT:</b> 6882.2 Kg.		<b>STOCK/ASSY. NUMBER:</b> 10031086		<b>SIZE</b>
		<b>SHEET NUMBER:</b> 1 OF 2		<b>B</b>

8 7 6 5 4 3 2 1

8 7 6 5 4 3 2 1

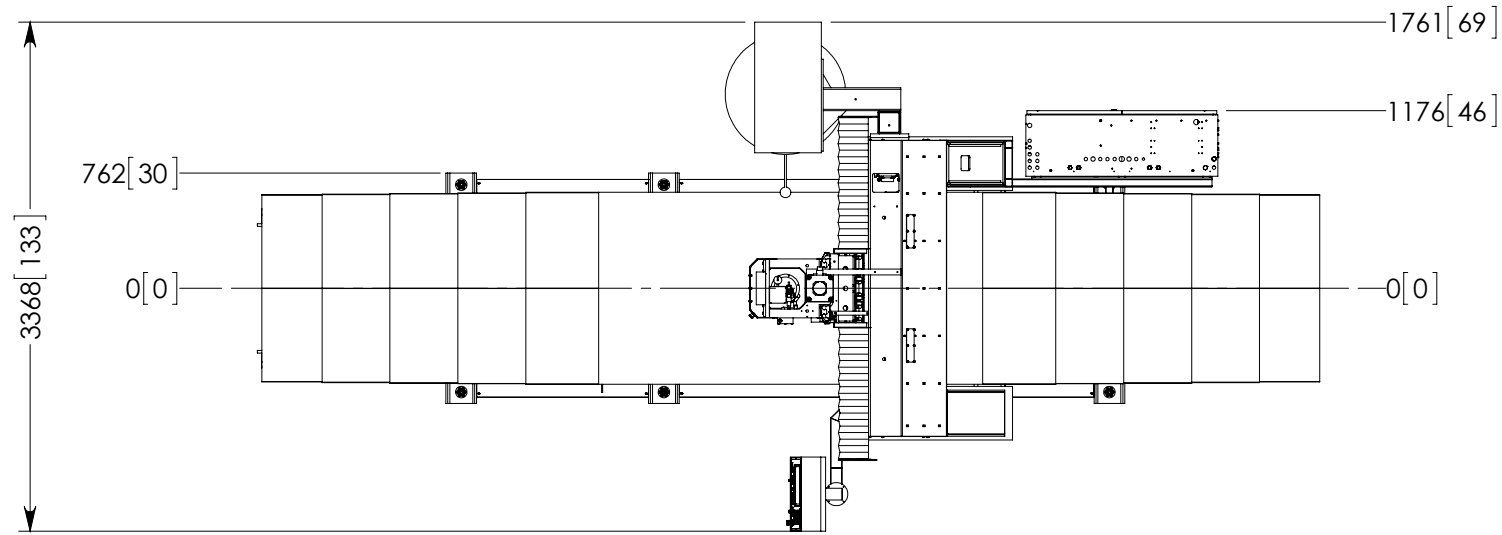
**PROPRIETARY AND CONFIDENTIAL**  
 THE INFORMATION CONTAINED IN THIS DRAWING IS THE SOLE PROPERTY OF  
 MILLTRONICS MANUFACTURING. ANY REPRODUCTION IN PART OR AS A WHOLE  
 WITHOUT THE WRITTEN PERMISSION OF MILLTRONICS MANUFACTURING IS PROHIBITED.

D

C

B

A

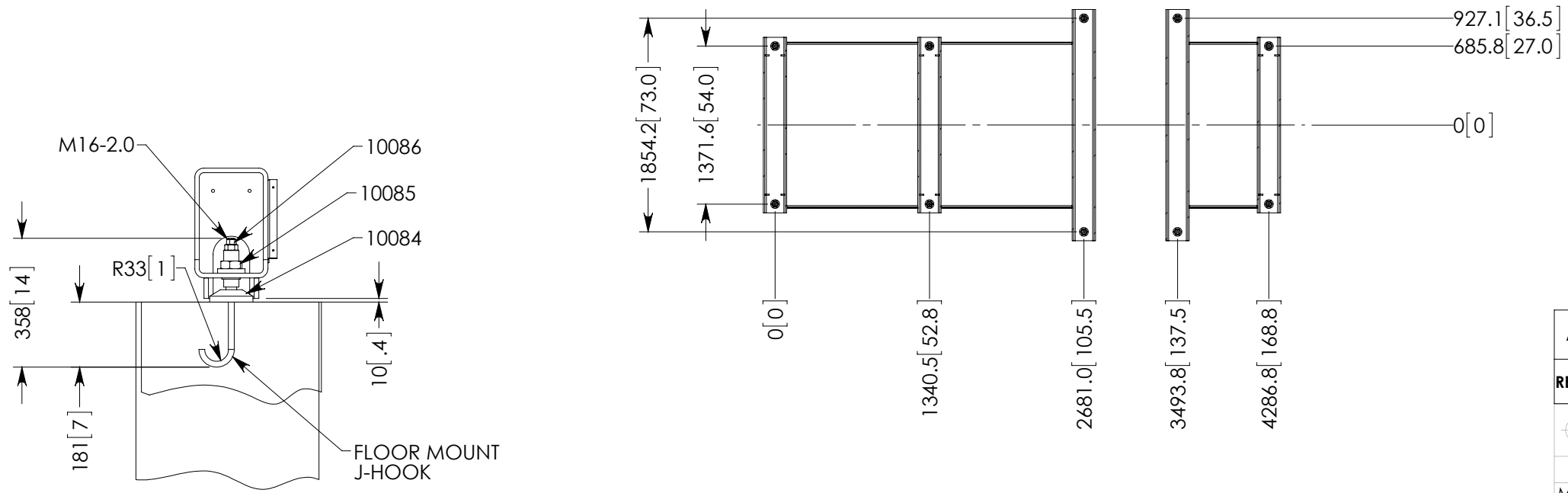


D

C

B

A



<b>A</b>	<b>ADD COMPONENTS AND REPAIR ASSEMBLY</b>	<b>8056</b>	<b>DH</b>	<b>03/14</b>
<b>REV.</b>	<b>DESCRIPTION</b>	<b>E.C.O. No.</b>	<b>APP'D BY</b>	<b>DATE</b>
	<b>NAME</b>	<b>DATE</b>		
<b>DRAWN</b>	CF	17 JUN 13	1400 MILL LANE 952.442.1410 WACONIA, MN 55387 USA	
<b>MATERIAL:</b>	DRAWING TITLE: BR5100 FOOTPRINT			
<b>FINISH:</b>	UNLESS OTHERWISE SPECIFIED:			
DIMENSIONS ARE IN MM [INCHES]		SCALE: 1:50	DRAWING NUMBER: 10031086	
TOLERANCES:		ESTIMATED WEIGHT: 6882.2 Kg.	STOCK/ASSY. NUMBER: 10031086	SIZE
ANGULAR: MACH ± 1.0 BEND ±		SHEET NUMBER: 2 OF 2		<b>B</b>
NO DECIMAL PLACE ± 1 [.039]				
ONE PLACE DECIMAL ± .5 [.020]				
TWO PLACE DECIMAL ± .2 [.008]				
THREE PLACE DECIMAL ± .1 [.004]				

8 7 6 5 4 3 2 1